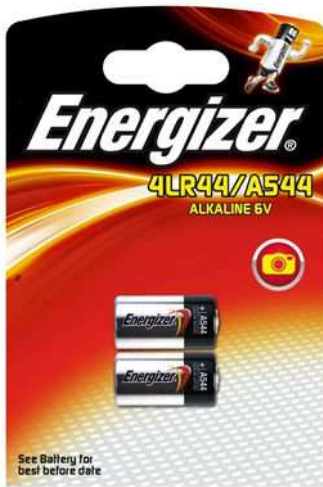




2/A544



Type :	ENERGIZER ALKALINE 6V 4LR44/A544 BL2
Ref :	2/A544
EAN :	7638900393354
Marque :	Energizer
Emballage :	10
Boîte d'emballage :	10
Poids UC (gr) :	14
Capacité (mAh) :	178
Volt :	6
Chimie :	Alcaline

Description détaillée :

La pile 4LR44 également connue sous la référence A544 pouvant servir pour un appareil photo, collier de dressage pour chien, appareil électronique divers,...

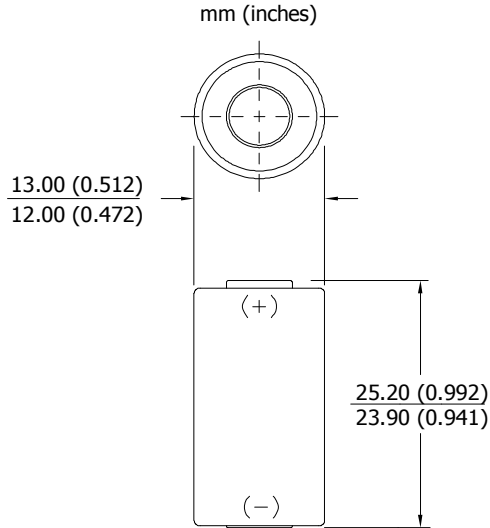


ENERGIZER A544

Miniature Alkaline



Industry Standard Dimensions



Designed specifically for photo use

Specifications

- Chemical System:** Manganese Dioxide (MnO₂)
- Designation:** IEC-4LR44
- Nominal Voltage:** 6.0 volts
- Typical Weight:** 9.8 grams
- Typical Volume:** 3.3 cubic centimeters
- Typical Capacity:** 178 mAh to 3.6 volts (rated at 30k ohms at 21°C)
- Cells:** Four No. LR44 in series
- Jacket:** Metal

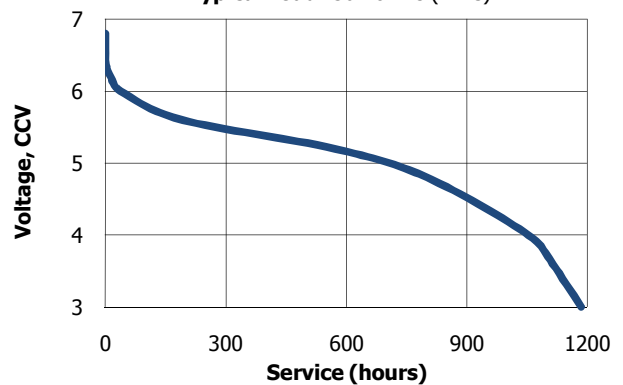
Typical Discharge Characteristics

21°C

Schedule (time)	Drain (mA)	Load (ohms)	Cutoff Voltage
			3.6V (hours)
Continuous	0.16	30K	1,113

Discharge Characteristics

Schedule: Continuous
Typical Load: 30K ohms (21°C)



Important Notice

This datasheet contains typical information specific to products manufactured at the time of its publication.
©Energizer Holdings, Inc. - Contents herein do not constitute a warranty.