

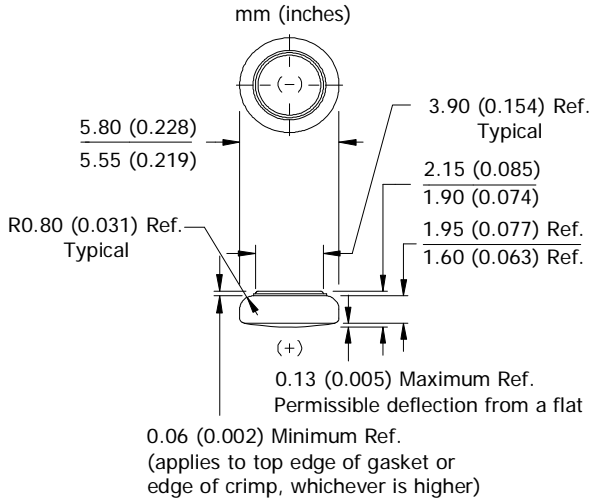
ENERGIZER 379

**ZEROMERCURY**

**SILVER OXIDE**



**Industry Standard Dimensions**

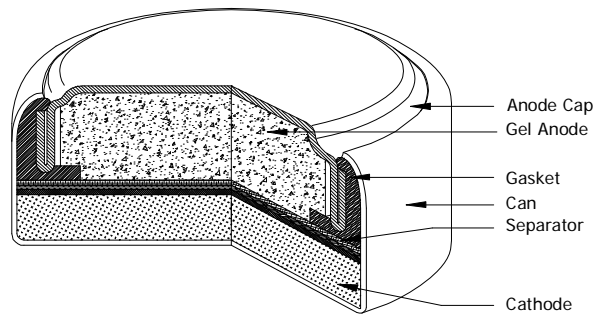


**Specifications**

|                           |   |
|---------------------------|---|
| <b>Chemical System:</b>   | Silver Oxide (Zn/Ag <sub>2</sub> O)       |
| <b>Designation:</b>       | ANSI/NEDA-1191SO                          |
| <b>Nominal Voltage:</b>   | 1.55 Volts                                |
| <b>Typical Capacity:</b>  | 14.0 mAh* (to 1.2 volts)                  |
| <b>Capacity Test:</b>     | 47K ohm continuous drain at 21°C          |
| <b>Typical Weight:</b>    | 0.21 grams (0.009 oz.)                    |
| <b>Typical Volume:</b>    | 0.06 cubic centimeters (0.003 cubic inch) |
| <b>Impedance (40 Hz):</b> | 75 to 85 ohms                             |

\* Varies according to the applied load, temperature, and cutoff voltage.

**Cross Section**

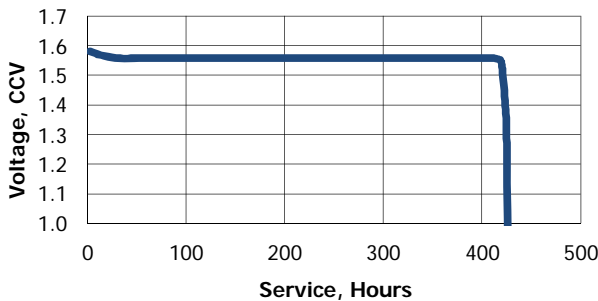


DESIGNED FOR USE ON CONTINUOUS LOW DRAIN

**Typical Discharge Characteristics**

Typical Performance at 21°C (70°F)

**Schedule:** Continuous  
**Typical Drain @1.55V:**  
0.033 milliamperes  
**Load:** 47K ohm

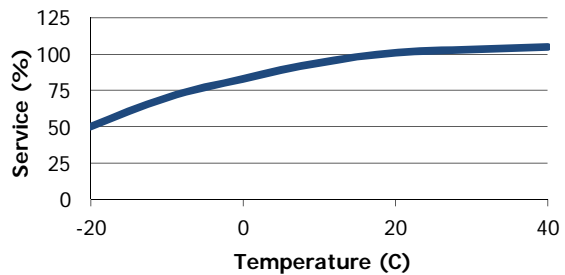


| <u>Schedule</u> | <u>Typical Drains</u><br>at 1.55V<br>(milliamperes) | <u>Load</u><br>(ohm) | <u>Cutoff</u><br>1.2V<br>(hours) |
|-----------------|---|----------------------|----------------------------------|
| Continuous      | 0.033   | 47K                  | 425                              |

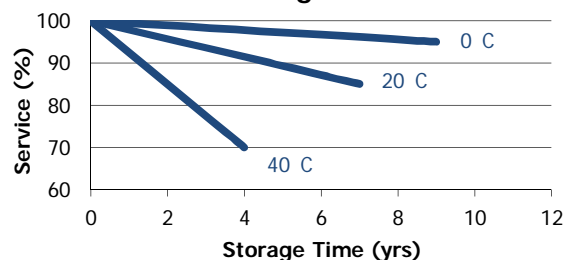
**Temperature Characteristics**

Typical Performance at Low Discharge Rates

**Service Effects**



**Storage Effects**



**Important Notice**

This datasheet contains typical information specific to products manufactured at the time of its publication.

©Energizer Holdings, Inc. - Contents herein do not constitute a warranty.